



*Pre-Installation Manual*

---

## **String Pin Pinsetter**

### **Electrical Requirements**

April 2012 / 10-095400-079

**Brunswick**   
CUSTOMER SERVICE  
A tradition in excellence.

## **Brunswick String Pin Pinsetter Electrical Requirements Pre-Installation Manual**

© April 2012 by the Brunswick Bowling and Billiards Corporation. All rights reserved.

Reorder Part No. 10-095400-079

Notice: If available, updates to this manual can be found on-line at [www.brunswickbowling.com](http://www.brunswickbowling.com).

Confidential proprietary information. All information contained in this document is subject to change without notice.

Brunswick Bowling & Billiards Corporation  
525 West Laketon Avenue  
P.O. Box 329  
Muskegon, MI 49443-0329  
U.S.A.

231.725.3300

## Safety

Throughout this publication, “Warnings”, and “Cautions” (accompanied by one of the International HAZARD Symbols) are used to alert the mechanic to special instructions concerning a particular service or operation that may be hazardous if performed incorrectly or carelessly. They are defined below. **OBSERVE AND READ THEM CAREFULLY!**

These “Safety Alerts” alone cannot eliminate the hazards that they signal. Strict compliance to these special instructions when performing the service, plus training and “Common Sense” operation are major accident prevention measures.



### **NOTE or IMPORTANT!:**

*Will designate significant informational notes.*



### **WARNING!**

*Will designate a mechanical or nonelectrical alert which could potentially cause personal injury or death.*



### **WARNING!**

*Will designate electrical alerts which could potentially cause personal injury or death.*



### **CAUTION!**

*Will designate an alert which could potentially cause product damage.*



*Will designate grounding alerts.*

# *Table of Contents*

<b>Introduction .....</b>	<b>5</b>
Interference Information .....	6
Surge Suppression .....	6
String Pin Controller Power Outlet Information .....	8
String Controller .....	9

# *Introduction*

This document contains the information necessary for the preparation of a site conforming to Brunswick specifications. It is very important the site complies with the requirements specified in the following pages. Any deviations from these specifications could cause problems to your equipment that may be difficult to detect and/or correct.

This document is divided into three sections. Refer to the particular section needed for details about the equipment being installed.

- Introduction
- Electrical Specifications
- Power Outlet Information

---

## Interference Information



### **CAUTION!**

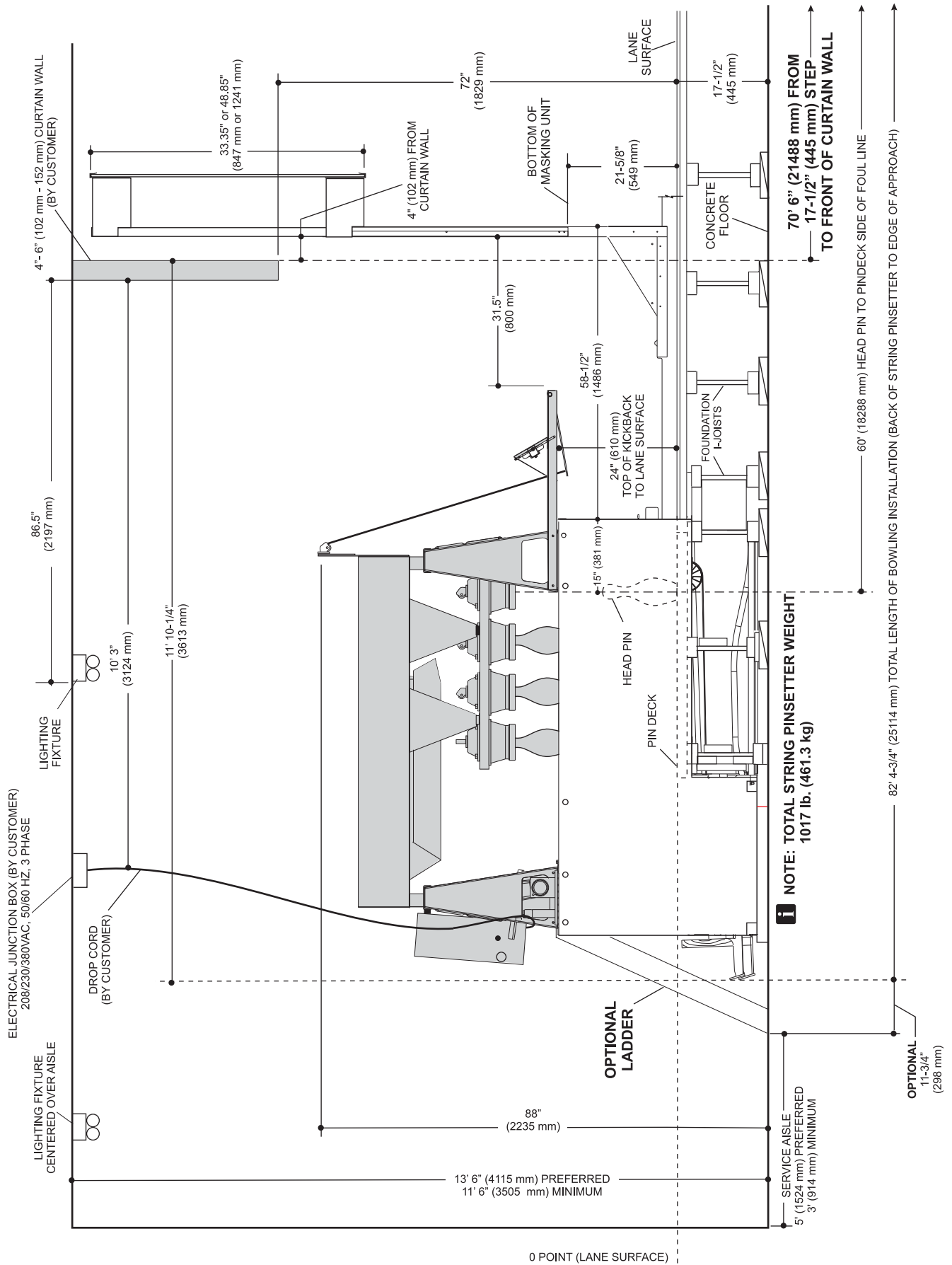
*This equipment generates, uses, and can radiate radio frequency energy and if not installed and used in accordance with the installation manual, may cause interference to radio communications. It has been tested and found to comply with the limits for a Class A computing device pursuant to Subpart J of Part 15 of FCC rules, which are designed to provide reasonable protection against such interference when operated in a commercial environment. Operation of this equipment in a residential area is likely to cause interference in which case the user, at his own expense, will be required to take whatever measures may be required to correct the interference.*

---

### **Surge Suppression**

A Transient voltage suppressor (TVSS) is **NOT** supplied with the pinsetter system, but is suggested. The installation of this device is the responsibility of the customer through a licensed electrician. The unit will be located at the pinsetter sub-panel that supplies the electronics. This unit is designed for the most demanding environment and incorporates multistage filtration in its design. The Sine Wave tracking series is engineered to remove the more complex disturbances found in the electrical environment, in particular, high and low voltage ringing transients and harmonic activity.

**i** ***NOTE:** The surge suppressor wires should be as short as possible, with no coiling when installed on the pinsetter sub-panel. The TVSS device is provided with a plastic coupler to insulate the unit from the sub-panel.*

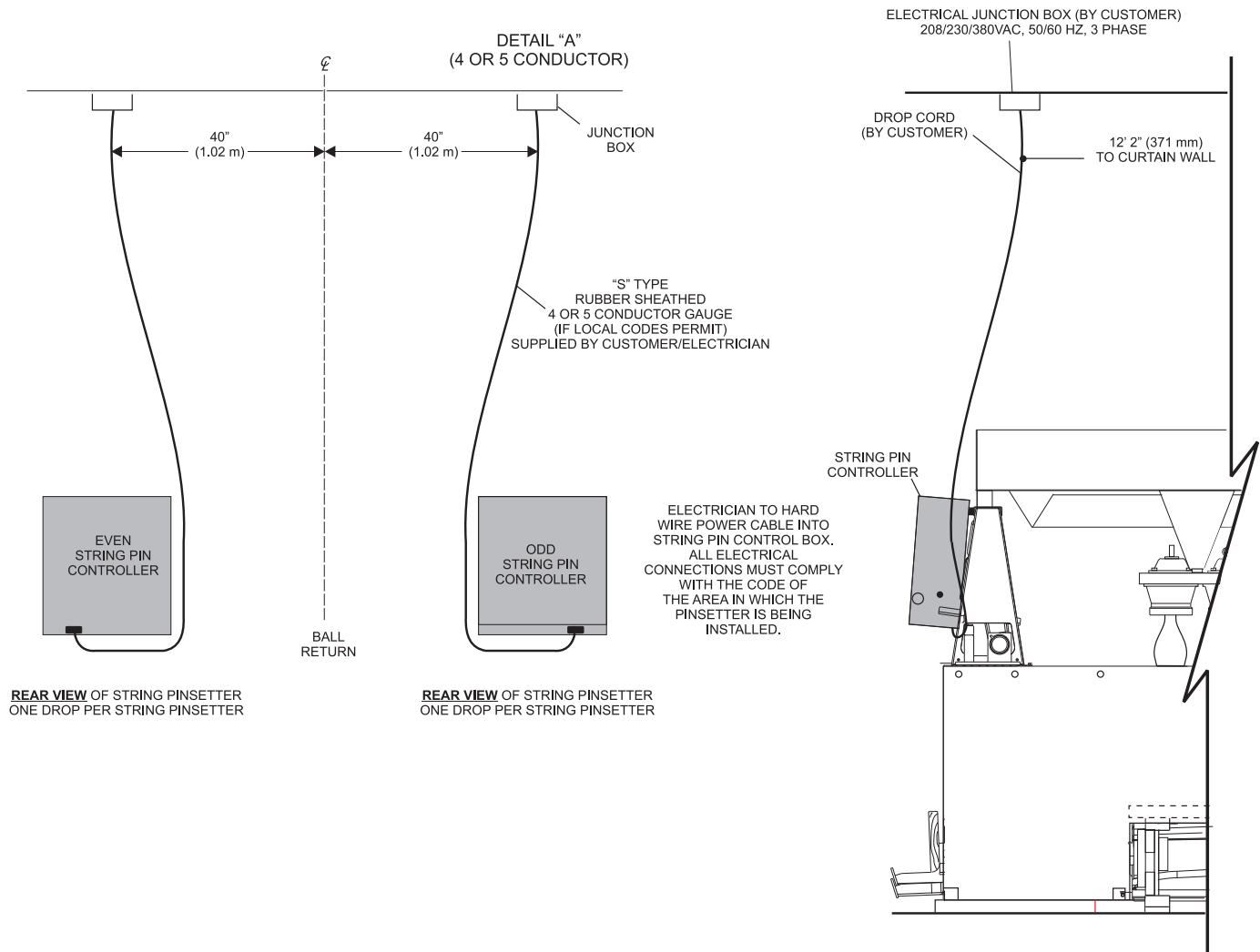


# String Pin Controller Power Outlet Information

Power Requirements - String Pin Pinsetter Controller (Lane Pair)								
VOLTS	HERTZ	AC/DC	PHASE	AMP	WATTS	CIRCUIT REQUIREMENT	CUSTOMER RESPONSIBILITY	BRUNSWICK RESPONSIBILITY
380	50/60	AC	3	12	-	4 or 5 wire insulated ground	To supply feeder wiring, "J" box, flexible drop cord	-
208/230	50/60	AC	3	15	-			

Circuit Requirements - String Pin Controller (Lane Pair)				
NON ISOLATED GROUND SUB-PANEL	WIRES PER CIRCUIT	UNITS PER CIRCUIT	WIRE SIZE	BREAKER SIZE
Yes	4 or 5	1 per Lane	12 Gauge	20 A

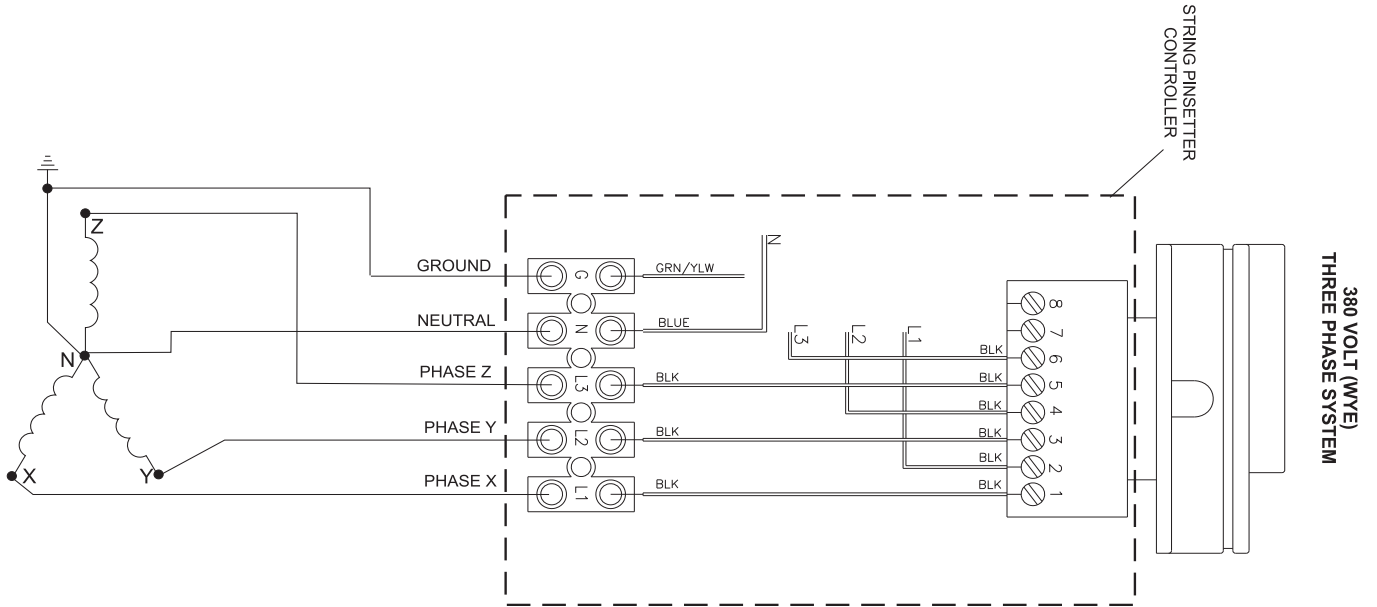
**Outlet Location - String Pin Pinsetter (Per Lane Pair)**  
 One junction box for each String Pin pinsetter.





## String Controller

Shown below is a configuration of input power to the String Pin Controller. *Figure 4* is for a 380 volt (Wye) 3 phase system.



*Figure 4*